

PROJECT	QUANTITY	ITEM NO
---------	----------	---------

Potato Cutter

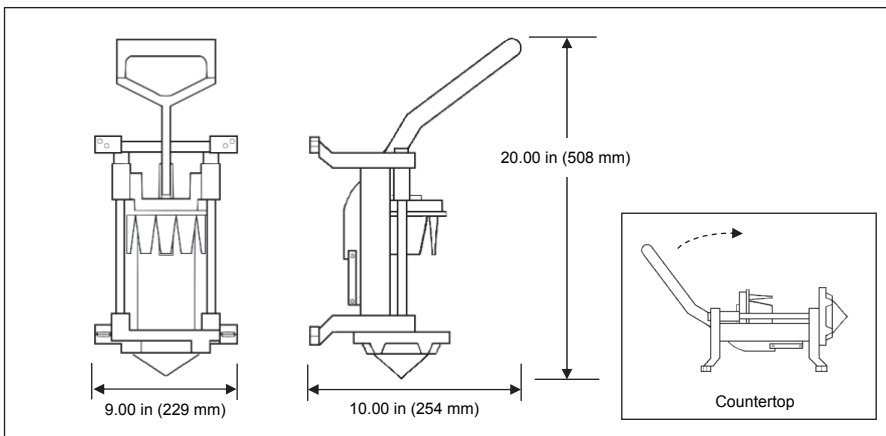
PC 200



Henny Penny potato cutters are the quickest, easiest and most economical way to cut, chop, and 'wedge' fresh potatoes, carrots, celery, onions, and more.

The Henny Penny PC 200 is a durable, lightweight mechanical cutter with interchangeable cutting grids. A shorter throw and ergonomic handle reduce operator fatigue. Designed for mounting on wall or countertop.

PC 200 potato cutter shown cutting with wedge fry grid



Standard Features

- Lightweight, sturdy metal construction
- Improved linkage design delivers smooth, powerful cutting with shorter throw
- Integral mounting legs drilled to fit existing holes from most other cutters
- Interchangeable cutting grids
Choose desired cut product:
 - Wedge fries—8 segments per cut
 - Regular French fries 0.38 in
 - Thin French fries 0.25 in

Dimensions

Height	20.00 in (508 mm)	handle up
Width	9.00 in (229 mm)	
Depth	10.00 in (254 mm)	handle up

Crated

Length	17.25 in (438 mm)
Depth	10.25 in (260 mm)
Height	13.50 in (343 mm)
Volume	1.4 ft ³ (0.04 m ³)
Weight	13 lb (6 kg)

Laboratory certifications



Continuing product improvement may subject specifications to change without notice.

Bidding specifications

Provide Henny Penny model PC 200 potato cutter for cutting whole potatoes and other vegetables.

Unit shall incorporate:

- Designed with shorter throw and ergonomic grip
- Lightweight metal construction
- Pre-drilled mounting holes
- Choice of interchangeable cutting grids:
Wedge fries/8-segment, regular fries/0.38 in, or thin fries/0.25 in. Ships with one grid installed

<input type="checkbox"/> APPROVED	<input type="checkbox"/> APPROVED AS NOTED	<input type="checkbox"/> RESUBMIT
AUTHORIZED SIGNATURE		DATE

Henny Penny Corporation
 PO Box 60 Eaton OH 45320 USA
 +1 937.456.8400 800.417.8417
 +1 937.456.8434 Fax 800.417.8434 Fax
 +1.800.417.8405 Technical Support

www.hennypenny.com

